



# Installation Line

## MC 1 Mounting Cradle (Art. No.: (G)193753 black)

To be used with HK Audio cabinets IL 12.1, IL 12.2, IL 15.1 and IL 15.2.

You can use MC 1 to build double as well as triple speaker-clusters.

### MC 1 Configurations

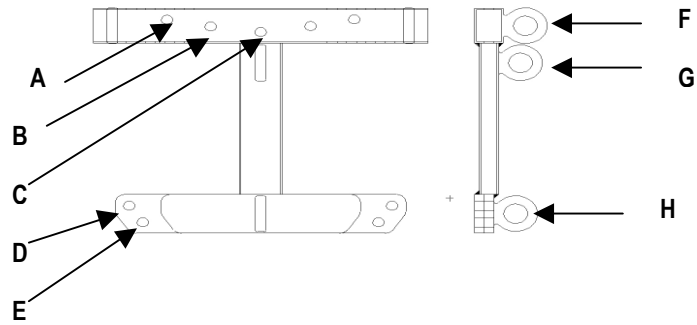


Table for configurations of clusters:

cabinet	Horn Version	Installation Accessories	Cluster	Position of the screw on MC 1	Fixing points for Flying per MC 1		Fixing points for Flying per Cluster	
					Pick point	Curving	Pick point	Curving
IL 12.1	60°x 40°	1x MC 1	2x Cluster 60°x 40°	A and E	2x F	1x H		
IL 12.1	40°x 60°	1x MC 1	2x Cluster 40°x 60°	B and E	2x F	1x H		
IL 12.1	60°x 40°	2x MC 1 (and 1x EB 10)	3x Cluster 60°x 40°	A and E			2x G or 2x H	2x H 1x EB 10 (*)
IL 12.1	40°x 60°	2x MC 1 (and 1x EB 10)	3x Cluster 40°x 60°	B and E			2x G or 2x H	2x H 1x EB 10 (*)
IL 15.1	60°x 40°	1x MC 1	2x Cluster 60°x 40°	A and E	2x F	1x H		
IL 15.1	40°x 60°	1x MC 1	2x Cluster 40°x 60°	B and E	2x F	1x H		
IL 15.1	60°x 40°	2x MC 1 (and 1x EB 10)	3x Cluster 60°x 40°	A and E			2x G or 2x H	2x H 1x EB 10 (*)
IL 15.1	40°x 60°	2x MC 1 (and 1x EB 10)	3x Cluster 40°x 60°	B and E			2x G or 2x H	2x H 1x EB 10 (*)
IL 12.2	60°x 40°	1x MC 1	2x Cluster 60°x 40°	A and E	2x F	1x H		
IL 12.2	40°x 60°	1x MC 1	2x Cluster 40°x 60°	B and E	2x F	1x H		
IL 12.2	60°x 40°	2x MC 1 (and 1x EB 10)	3x Cluster 60°x 40°	A and E			2x G or 2x H	2x H 1x EB 10 (*)
IL 12.2	40°x 60°	2x MC 1 (and 1x EB 10)	3x Cluster 40°x 60°	B and E			2x G or 2x H	2x H 1x EB 10 (*)
IL 15.2	60°x 40°	1x MC 1	2x Cluster 60°x 40°	A and E	2x F	1x H		
IL 15.2	40°x 60°	1x MC 1	2x Cluster 40°x 60°	B and E	2x F	1x H		



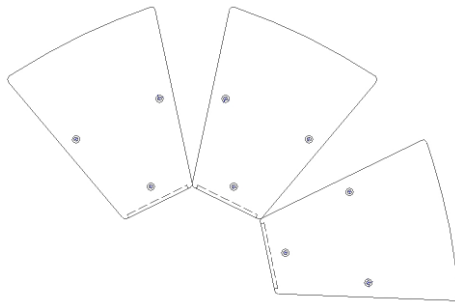
# Installation Line

IL 15.2	60°x 40°	2x MC 1 (and 1x EB 10)	3x Cluster 60°x 40°	A and E			2x G or 2x H	2x H 1x EB 10 (*)
IL 15.2	40°x 60°	2x MC 1 (and 1x EB 10)	3x Cluster 40°x 60°	B and E			2x G or 2x H	2x H 1x EB 10 (*)

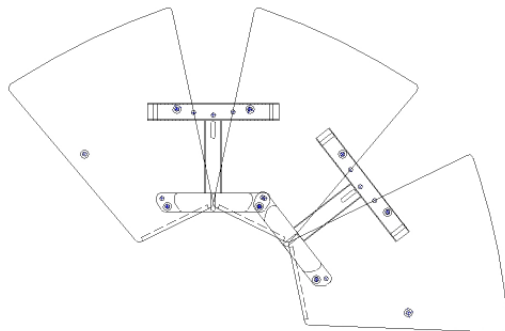
\*) Depending on the necessary tilt angle you can choose from both fixing versions. By means on the eyebolt EB 10 (which has to be put into the lower hole at the back of the centre cabinets), the tilt angle of the cluster can be increased.

## Installation of the MC 1 to build double resp. triple clusters

1. Place the speakers on a flat surface in the shape they shall be flown afterwards. The edges of the rear sides should slightly touch each other.



2. Fix the MC 1 Mounting Cradles on the top surface of the speakers. Remove the corresponding hexagon socket screws from the top of the speaker cabinets (see sketch below). Place the MC 1 onto the speaker cabinets – as shown in the sketch. Fix the MC 1 by using hexagon socket screws **Type M 10 x 60**. **Please strictly observe our table for the configuration of clusters!**



3. Before lifting the cluster, please make a final check of the screw connections.