

P10 U-Bracket

Mounting a single P10 speaker can be implemented using the standard U-bracket included with the P10.

The bracket can be hooked into M8 mounting points thanks to its keyhole openings. In addition, mounting at four screw points is also possible, whereby these are arranged to facilitate exactly horizontal mounting.

Three mounting points with M5 threads allow screw-in hooks or similar to be attached, which can be a practical way of routing cables.

For multiple P10 arrangements, they are simply mounted on top of each other and screwed together with connector plates if necessary, which can also ensure common alignment in the horizontal axis.

For the mounting of P10 loudspeaker systems with the P10 U-bracket, a certificate of ball impact resistance according to DIN 18032-3 is available.

The U-bracket does not allow vertical tilting of the P10 speaker systems. Horizontal tilting is possible up to 120°.

One article is available:

- The U-bracket is included as standard with every P10 loudspeaker.
- Individual items are also available for replacement purposes, consisting of a U-bracket and two mounting brackets, two locking tooth lock washers and two self-locking nuts in black, white or RAL color as desired.

Order numbers:

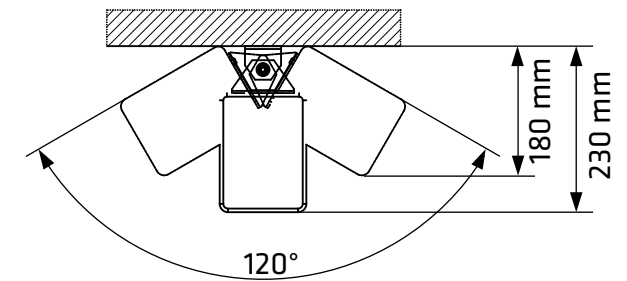
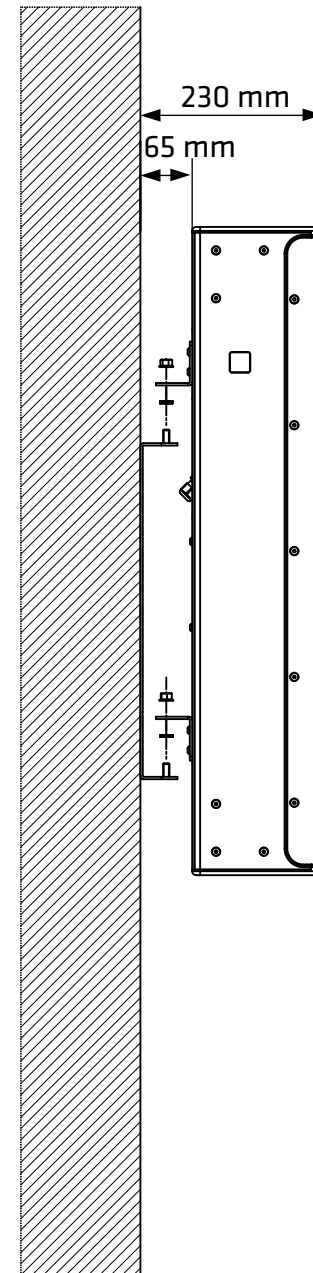
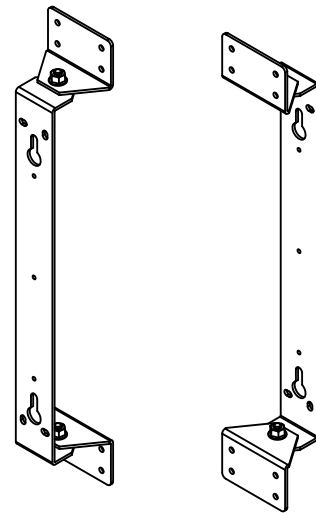
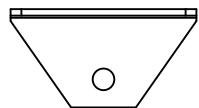
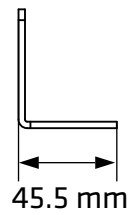
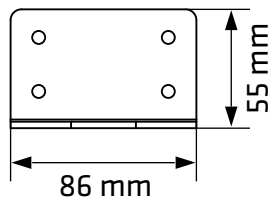
- U-bracket for 1× P10 sw **1007805**
- U-bracket for 1× P10 w/RAL **1007806**



P10 U-Bracket

Technical data

P10 U-Bracket	
Mounting type	wall mounting
Functional description	easy mounting on walls by hanging and screwing; supports and swivels one speaker; certified ball impact resistance
Swivel range	120°
Mountings	2× M8 slotted hole, 3× M5 thread, 4× offset screw points
Material	steel
Surface	galvanized and smooth powder coated (black, white or RAL according to requirements)
Dimensions (H × W × D)	422 × 50 × 47 mm
Weight	0.85 kg



P10 U-Bracket

Technical drawing

